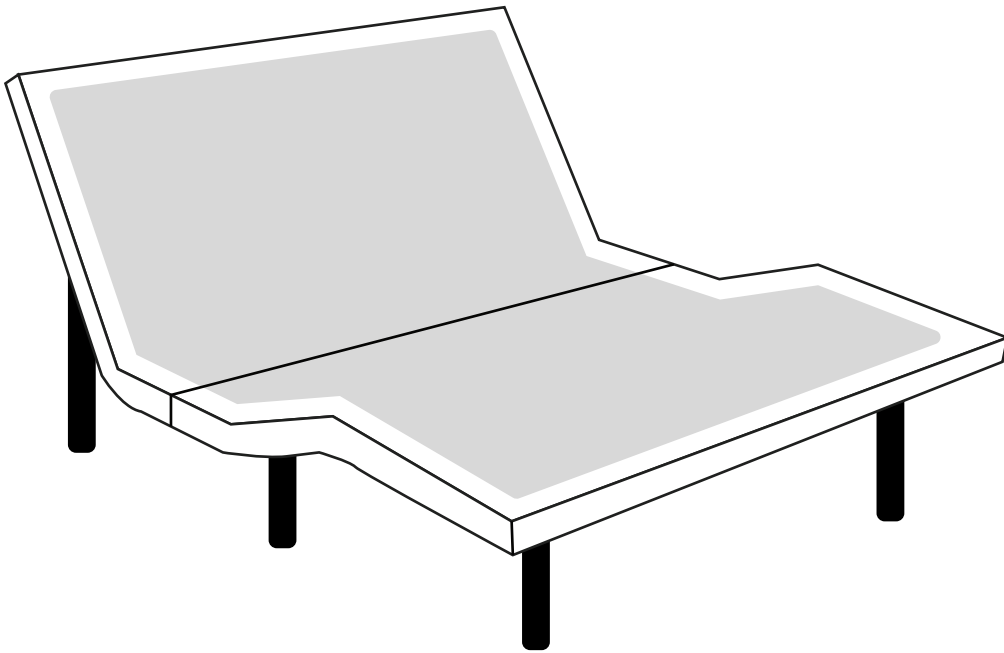


Adjustable Bed Base

Installation Instructions / User Manual



By following these instructions, you can effectively drop in an adjustable mechanism into a bed frame and pair the RF remote control with the mechanism for seamless operation.

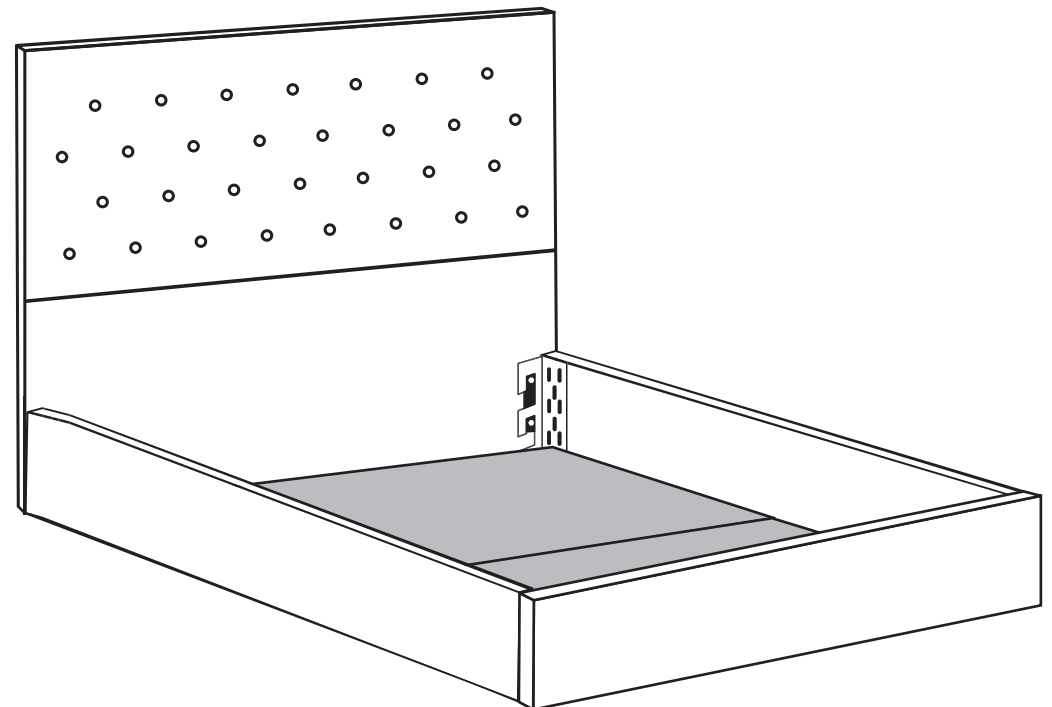
DANGER - Risk of Injury/Crushing

The adjustable frame must only be operated by responsible and capable adults.
Never allow children to operate the adjustable frame.

Step 1

Prepare the bed frame

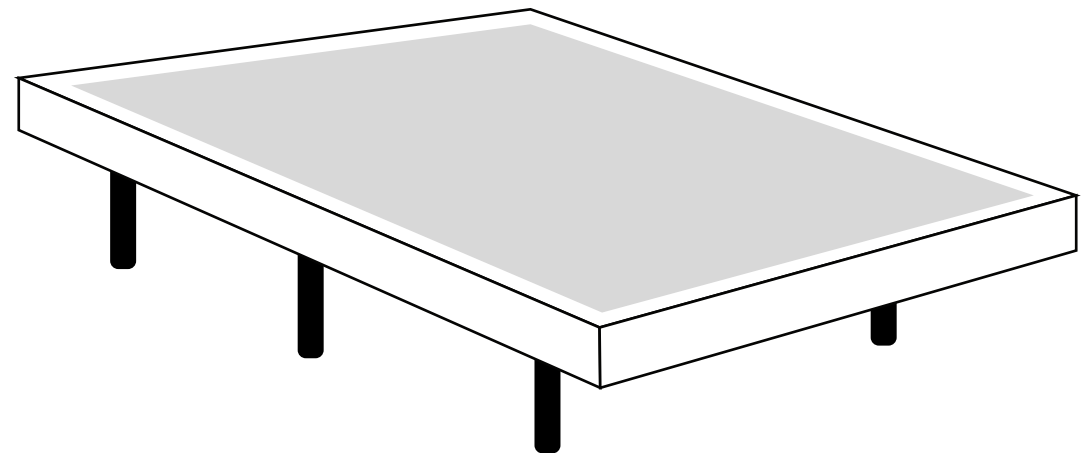
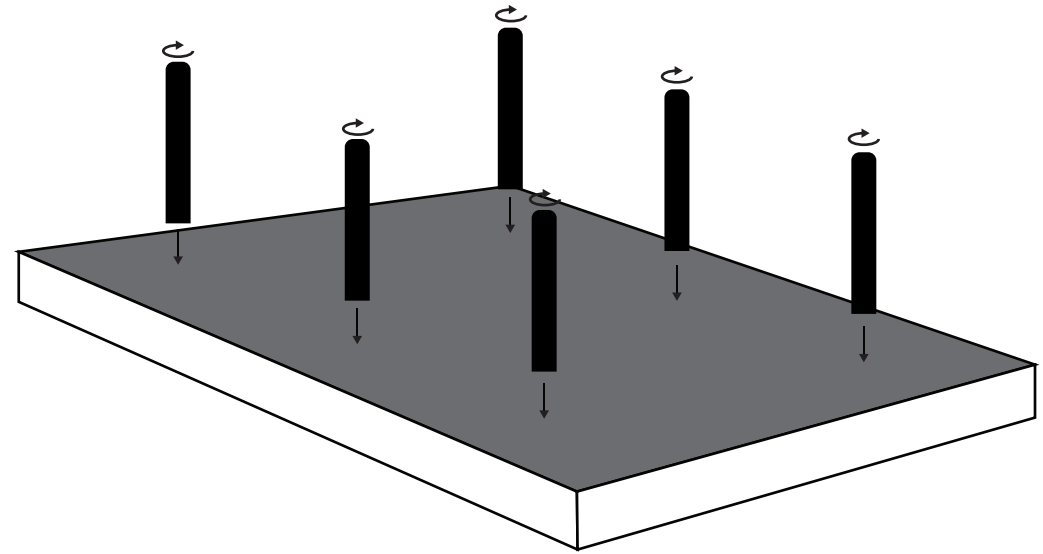
- Place the bed frame in a clear, open space where you can easily access all sides.
- Ensure the bed frame is positioned correctly in the desired location.



Step 2

Assemble the adjustable mechanism.

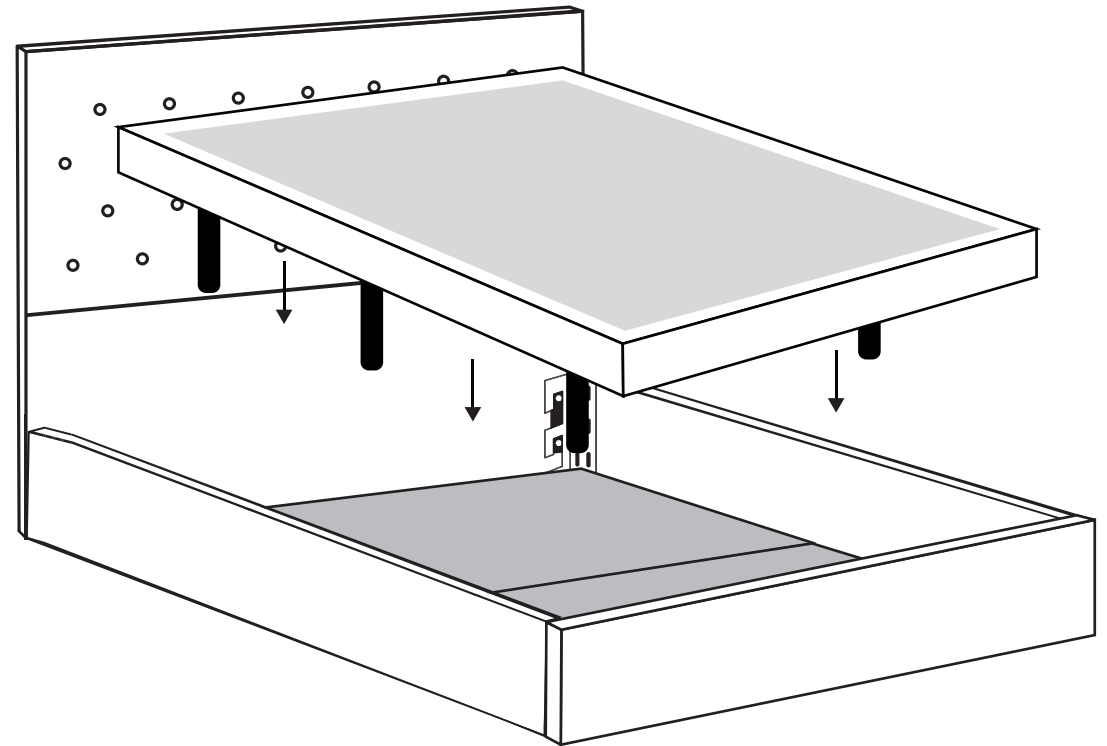
- Unbox the adjustable mechanism and lay out all components in an organized manner.
- Unbox the metal feet and secure to the threaded hole position on the frame (see diagram for the location).
- Double-check all metal feet to ensure they are tight and secure.



Step 3

Position the adjustable mechanism into the bed frame.

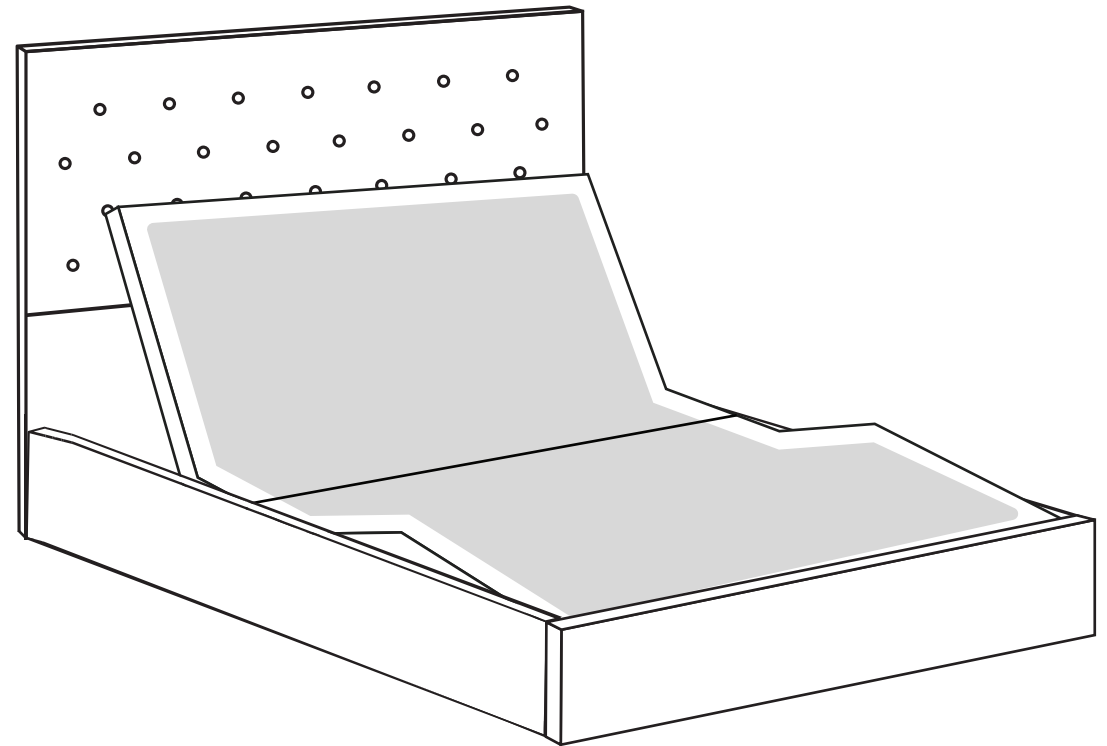
- Lift the adjustable mechanism and carefully lower it into the bed frame.
- Ensure the mechanism is centered within the frame, careful not to trap fingers
- Once the mechanism is positioned correctly, ensure all feet are firmly in contact with floor surface.
- Double-check all connections to ensure they are tight and secure



Step 4

Test the functionality of the adjustable mechanism

- Adjust the various settings (such as incline or height) to verify that the mechanism functions correctly.
- Before replacing the mattress and bedding test the adjustable mechanism to ensure it operates smoothly and without any issues.



Pairing the RF remote with the mechanism

Only do this one mechanism/remote at a time (if required)

1. Ensure power supply

Plug in all power supply cables and transformers (only use transformers supplied with mechanism)

2. Locate the remote control

Identify the RF remote control and insert the batteries into the battery compartment.

3. Activate pairing mode

Pressing the button 'Back Down' (7) and the 'Leg Up' (9) Buttons and holding at the same time for 3 seconds, you will hear a beep to confirm pairing

4. Verify Pairing

After pairing, test the remote control to ensure it successfully communicates with the adjustable mechanism.

Verify that the remote control can adjust the various settings of the mechanism as intended.

5. Synchronise two adjustable units to one remote (if required)

Repeat step 3, with the same remote already paired with the first adjustable unit.

6. Finalise setup

Once pairing is successful, finalise the setup by securing any cables or connections and ensuring all components are properly positioned.

7. Test the functionality

Before replacing the mattress and bedding test the adjustable mechanism to ensure it operates smoothly and without any issues. Adjust the various settings (such as incline or height) to verify that the mechanism functions correctly.

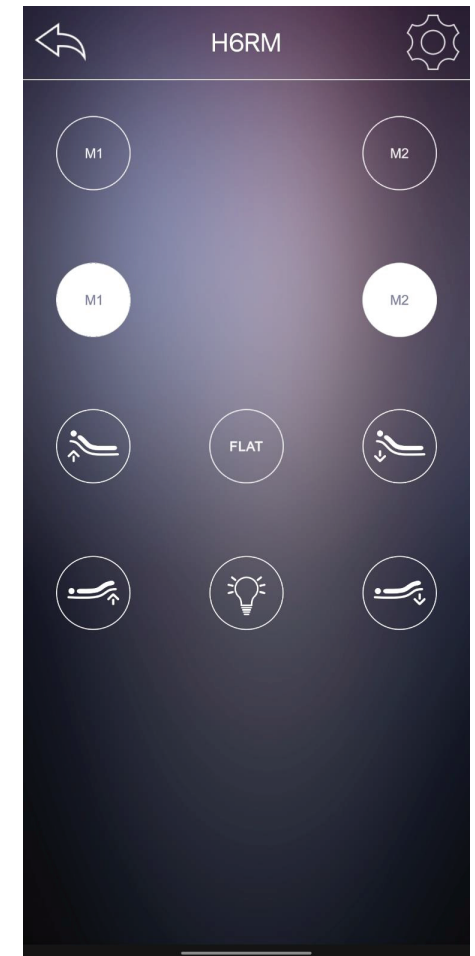
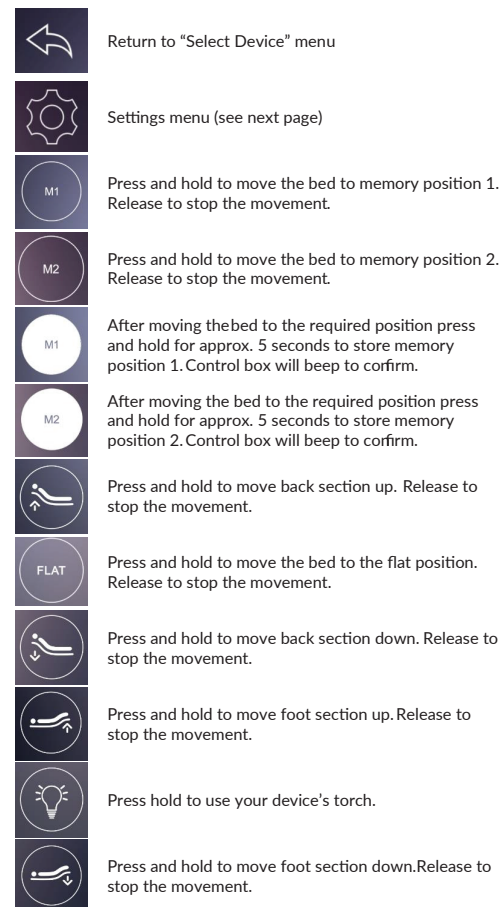
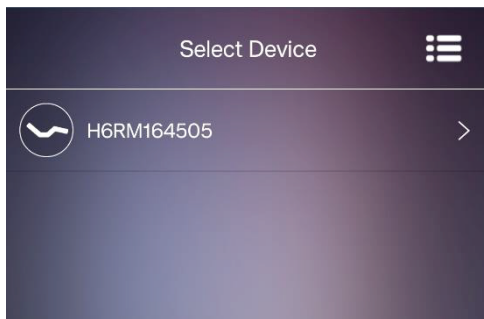


APP Setup

Download and install the RMControl app from the Play Store (Android devices) or App Store (Apple devices). Scan the QR code for a link to take you to the correct app download page.



1. Make sure all cables are connected and power is turned on.
2. Enable Bluetooth on your device and open the RMControl app.
3. Select the bed from the list. By default the name should start "H6RM". Once selected the handset page will show. It is possible to change the name of the bed in the settings menu to a name that will make it more identifiable.



M.A Living Limited
Unit B&C, Treefield Industrial Estate, LS27 7JU
www.maliving.co.uk
01924 457 333

