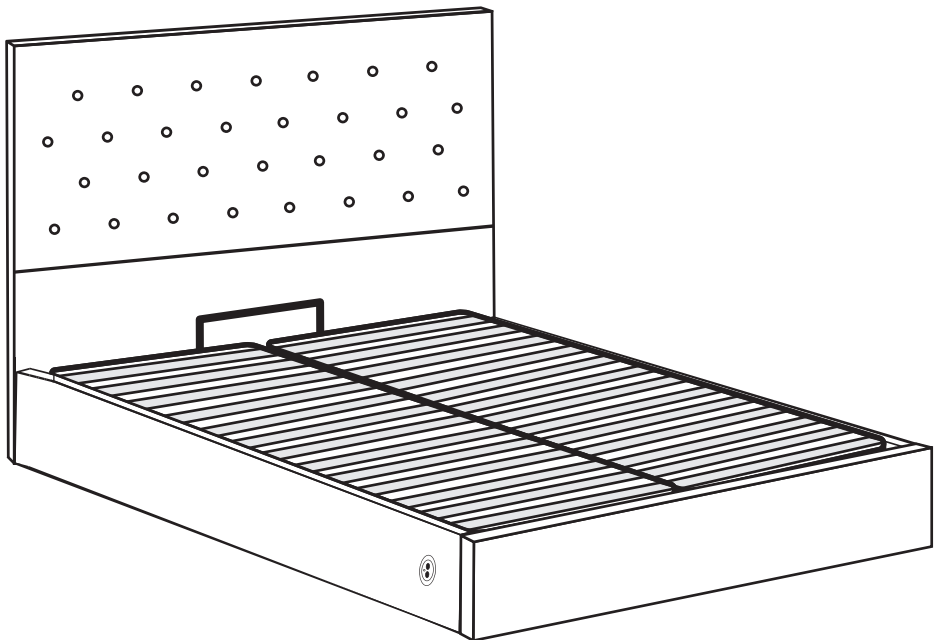




M.A. LIVING
HANDCRAFTED BED FRAMES

Power Ottoman

Assembly Instructions / User Manual



V7

July 2025



60-90 minutes
2 Person Assembly

Additional Tools Required:

Size 14 Spanner



Cross Head (Phillips) Screwdriver



Introduction & Components

Unpack the product in the room you intend to use it in. Remove all packaging and dispose of responsibly, ensuring all polythene is kept out of reach of children.

Safety Features

Your bed is fitted with a child lock on the button controller on the side. Activating the child lock will prevent the base lifting when the buttons are pressed.

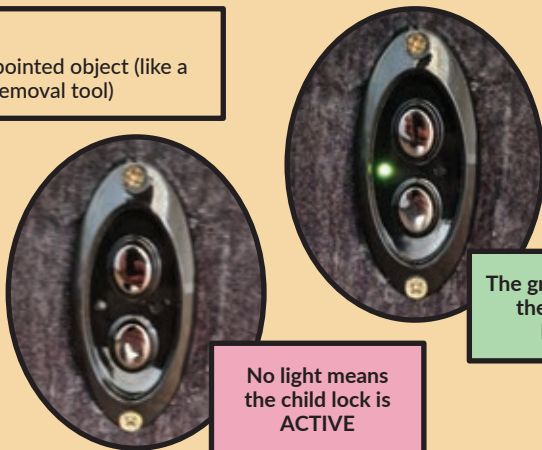
Upon delivery, the child lock will be activated. You will need to de-activate the lock before using for the first time.

To Activate Child Lock

Press small hole with pointed object (like a paperclip or sim card removal tool)

Once de-activated, the green light will turn on

Turn off the child lock by repeating this step.



No light means the child lock is ACTIVE

The green light shows the child lock is INACTIVE



DANGER – RISK OF INJURY / CRUSHING

The ottoman must only be operated by responsible and capable adults.
Never allow children to operate the ottoman. Always engage the child safety lock when the ottoman is not in use. Refer to the Care Manual for safety lock instructions.

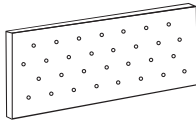
Mattress weight must not exceed 110kg



Assembling Your Headend

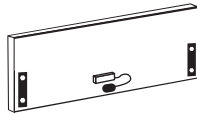
Depending on the product you have purchased, you may have a split headend product. You may also have wings that attach to the sides of your headend. Before assembling your new bed, please ensure the headend is assembled following the instructions below.

Please check for the following items:



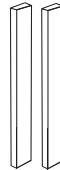
A Headend Top

Identifiable by front facing design/pattern



B Headend Bottom

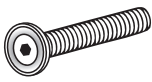
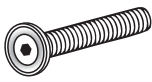


Identifiable by hex bolt brackets for hanging side rails onto



C Wings

Depending on the chosen design, your product may come with wings

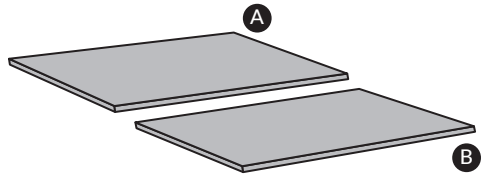
Please check for the following fixings:

Headend without wings	Headend with wings
 1 (4x) M8 x 50mm Allen Bolt	 1 (10x) M8 x 50mm Allen Bolt
 2 (4x) Washer	 2 (10x) Washer

This product is HEAVY, it should be assembled as near as possible to the point of use. TAKE CARE WHEN LIFTING to avoid personal injury and (or) damage to the product.

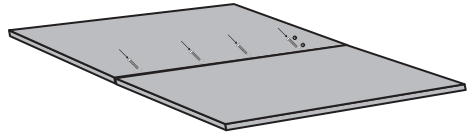
Step 1

Lay the Headend Top **A** & Headend Bottom **B**, facing down, onto the floor and align the bolt holes



Step 2

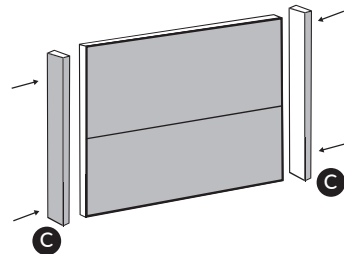
Attach the parts together using 4 of the M8 bolts **1** along with 4 washers **2**. Tighten by hand first, then once all are in place, tighten fully with a power tool.



If you have a headend with wings, complete steps 3 & 4 below

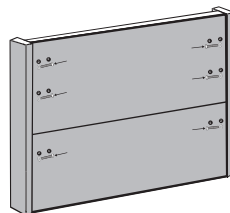
Step 3

Stand your headboard upright and align the two wings **C** to be flush to the assembled headend with the bolt holes aligned



Step 4

Attach the wings to the headboard using 3 M8 bolts **1** along with 3 washers **2** per wing. Tighten by hand first, then once all are in place, tighten fully with a power tool.



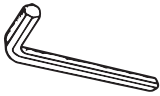
Your headend is now complete and ready to be assembled as part of your bed frame.

Always **tighten bolts by hand first**. Please ensure the bolt is **over 50% inserted** before using power tools.

Contents Check List

Please check you have all of the parts listed below before attempting to assemble your product.

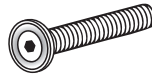
If you are missing any items, please contact your retailer.



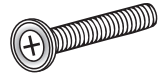
1 Allen Key (x1)



2 14mm Spanner (x1)



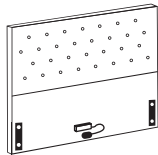
3 M8 x 50mm Allen Bolt (x4)



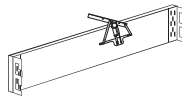
4 M8 x 45mm X-Head Bolt (x4)



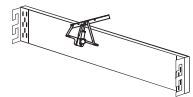
5 M8 Nut (x8)



A Headend
Transformer box & 2x AA
Batteries pre-fitted to headend



B LHF Side Rail



C RHF Side Rail



D Foot End



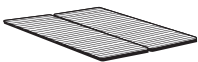
E Mattress Retainer
(x1) Nuts Pre-Attached



F Brace Bar (x2)



G Centre Support Bar (x1)



H Slatted Base (x1)



J Floor Board (x2)



2x 9v Batteries Required

This product is **HEAVY**, it should be assembled as near as possible to the point of use.
TAKE CARE WHEN LIFTING to avoid personal injury and (or) damage to the product.

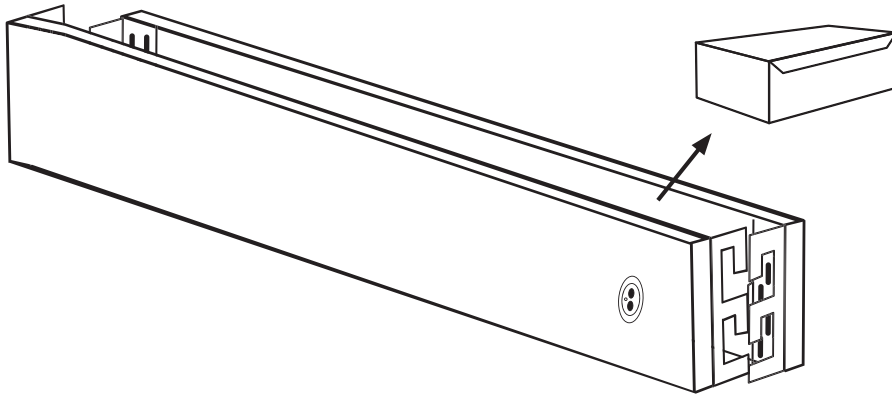
This product takes approximately 60-90 minutes to assemble with 2 PEOPLE

The fittings pack contains **SMALL ITEMS** which should be **KEPT AWAY FROM YOUNG CHILDREN**

Read this leaflet in full before commencing assembly.

Step 1

Locate the fittings box, this will be packaged with the side rails.

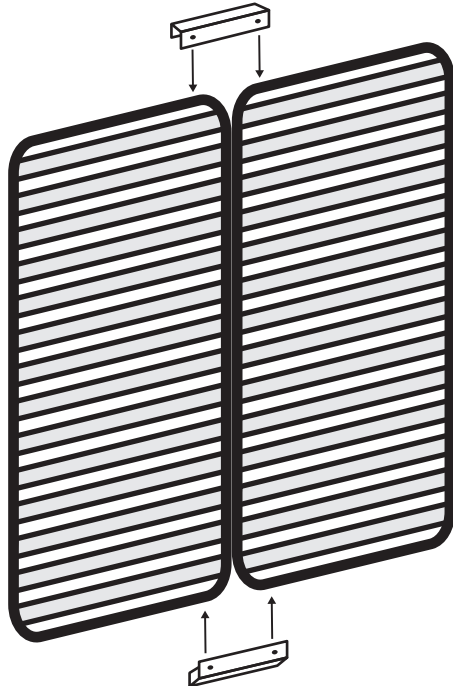


Step 2

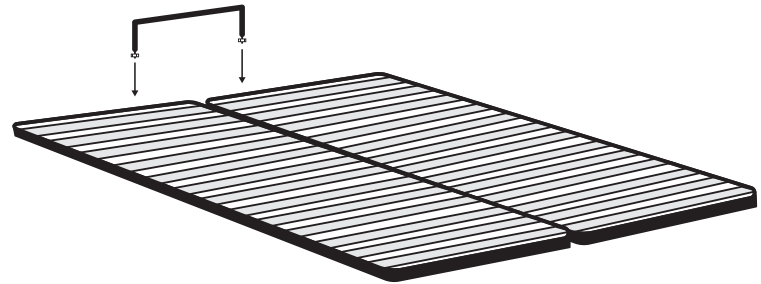
Ensure all packaging is kept away from Children & disposed of accordingly. Cardboard & LDPE are widely recyclable.

Unwrap & assemble the slatted frame using bolts ④ & the brace bars ⑥ supplied.

Place the two brace bars onto the frame at each end. Use the four allen key bolts ④ to secure.



Attach the mattress retainer bar ⑤ using the pre-attached bolts.

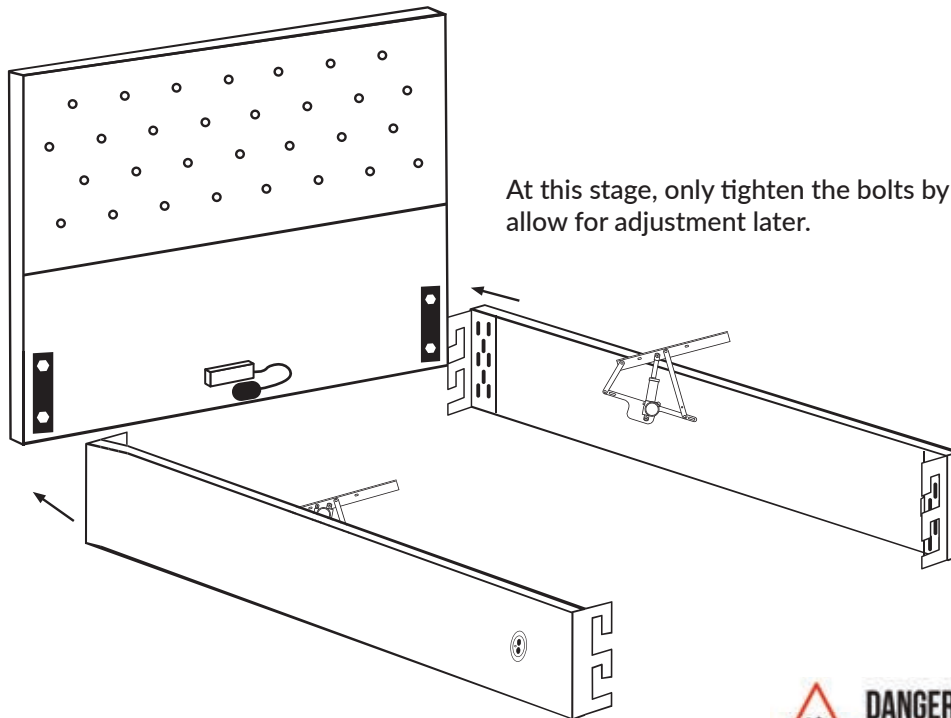


Once assembled, put to one side until later in the build.

Step 3

Ensure you remove all packaging & free the plug – do not connect to the mains at this stage.

Attach Headboard **A** to side rails **B** & **C** by hooking the bracket on part **B/C** to the bolts on **A**



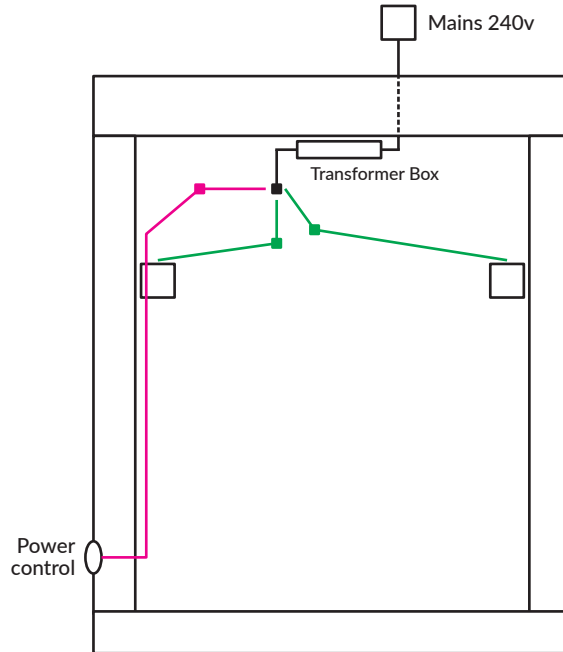
DANGER – RISK OF INJURY / CRUSHING

The ottoman must only be operated by responsible and capable adults.
Never allow children to operate the ottoman. Always engage the child safety lock
when the ottoman is not in use. Refer to the Care Manual for safety lock instructions.



Step 4

Carefully connect the electrical components as per the below diagram.



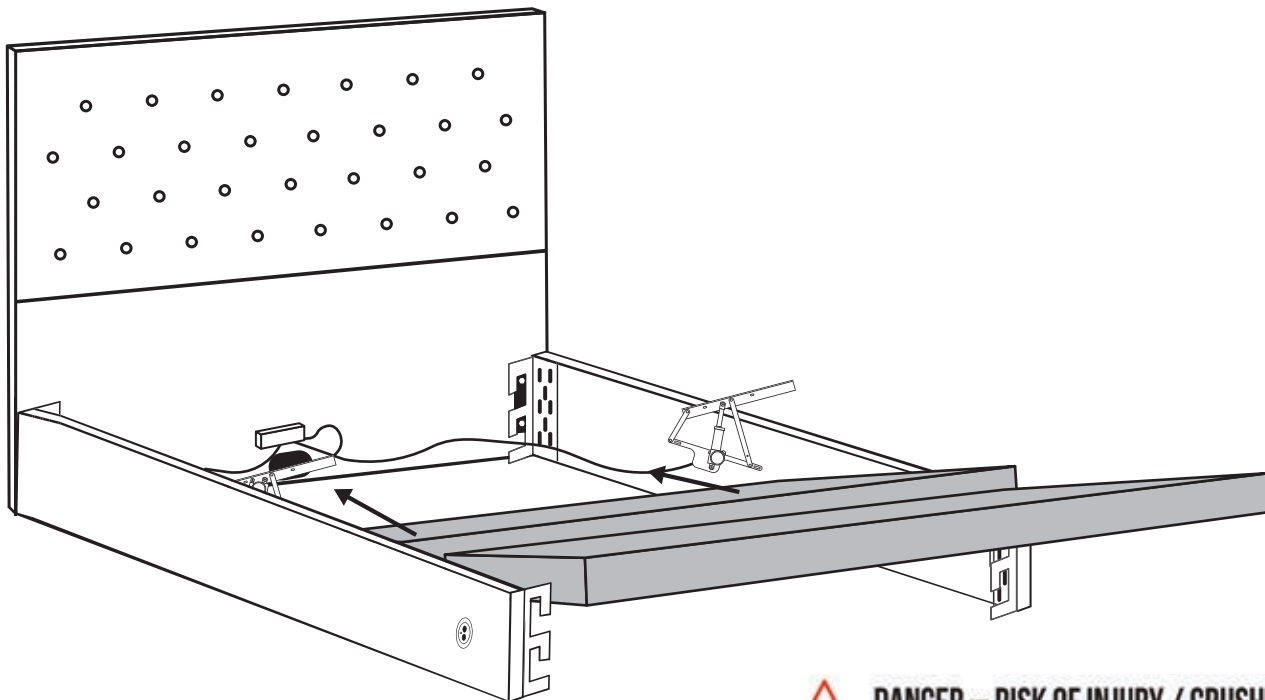
**DO NOT CONNECT TO MAINS
POWER AT THIS STEP**

Step 5

Install the floorboards **J**

The floorboards sit directly on the floor & hide the wires.

Ensure all wires are to the edges of the frame to prevent entrapment and damage.



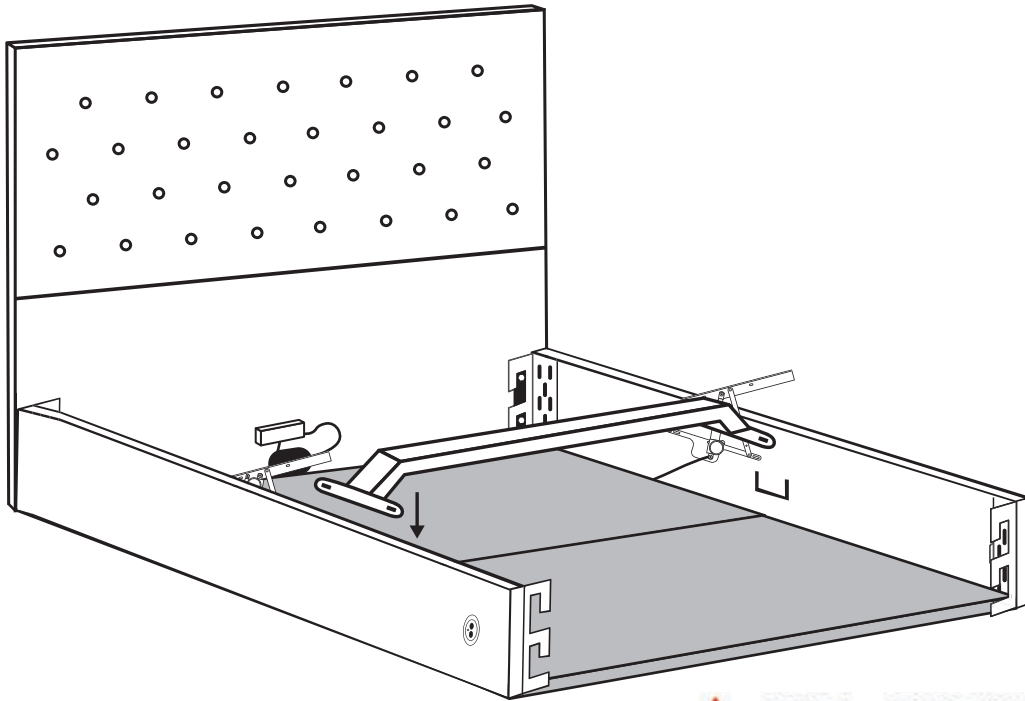
DANGER – RISK OF INJURY / CRUSHING

*The ottoman must only be operated by responsible and capable adults.
Never allow children to operate the ottoman. Always engage the child safety lock
when the ottoman is not in use. Refer to the Care Manual for safety lock instructions.*



Step 6

Insert Centre Support Bar ⑥ with 4x part ③ fixings. Tighten using the allen key provided. Ensure the highest point faces up as per image below.



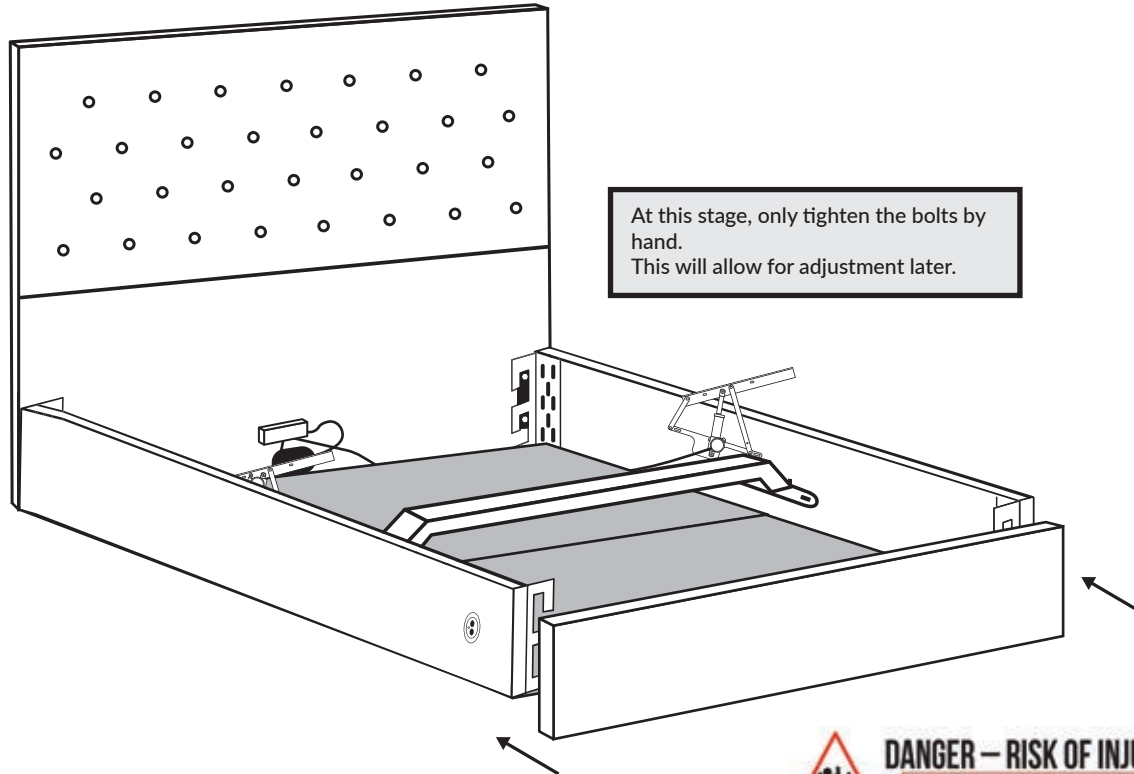
DANGER – RISK OF INJURY / CRUSHING

The ottoman must only be operated by responsible and capable adults.
Never allow children to operate the ottoman. Always engage the child safety lock
when the ottoman is not in use. Refer to the Care Manual for safety lock instructions.



Step 7

Attach the footboard **D** to side rails **B** & **C** by hooking the bracket on **B**/**C** to the bolts on **D**



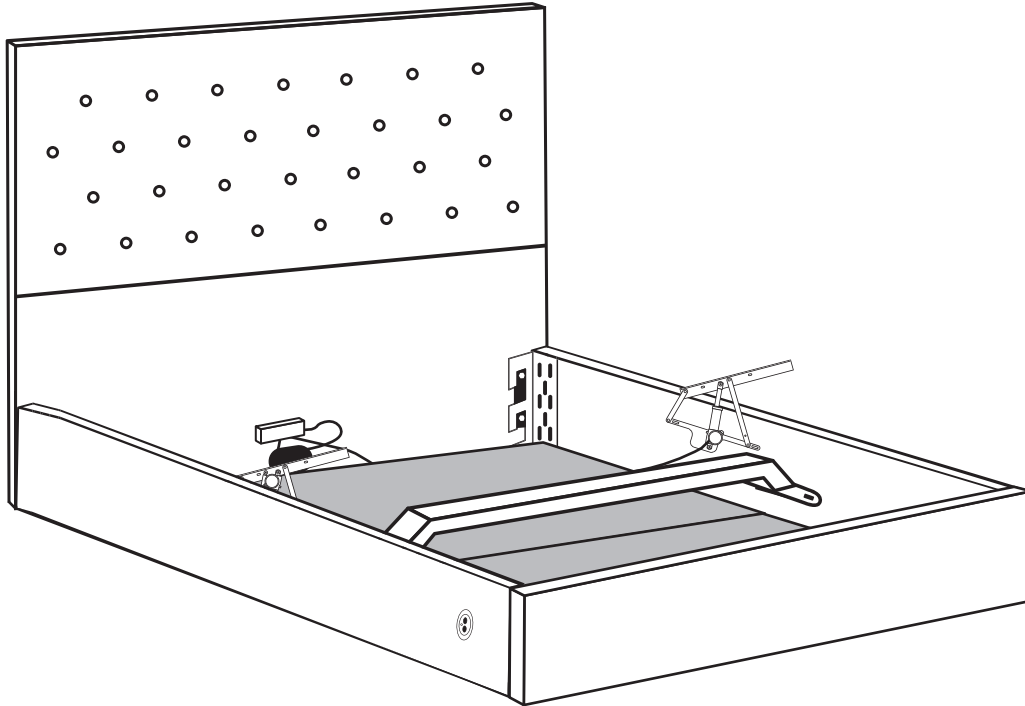
DANGER – RISK OF INJURY / CRUSHING

The ottoman must only be operated by responsible and capable adults.
Never allow children to operate the ottoman. Always engage the child safety lock
when the ottoman is not in use. Refer to the Care Manual for safety lock instructions.



Step 8

Using the allen key supplied, tighten all fixings inside the frame, ensure your bed is square



DANGER – RISK OF INJURY / CRUSHING

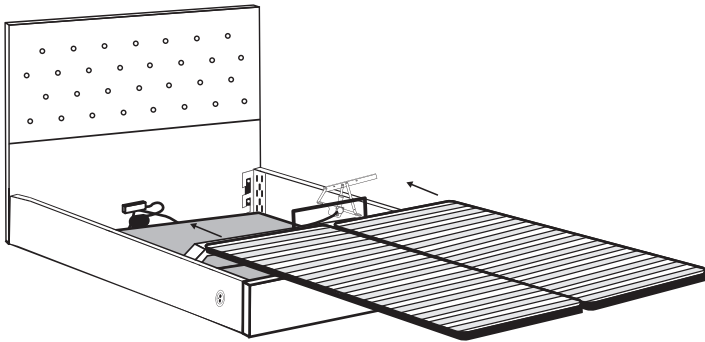
*The ottoman must only be operated by responsible and capable adults.
Never allow children to operate the ottoman. Always engage the child safety lock
when the ottoman is not in use. Refer to the Care Manual for safety lock instructions.*



Step 9

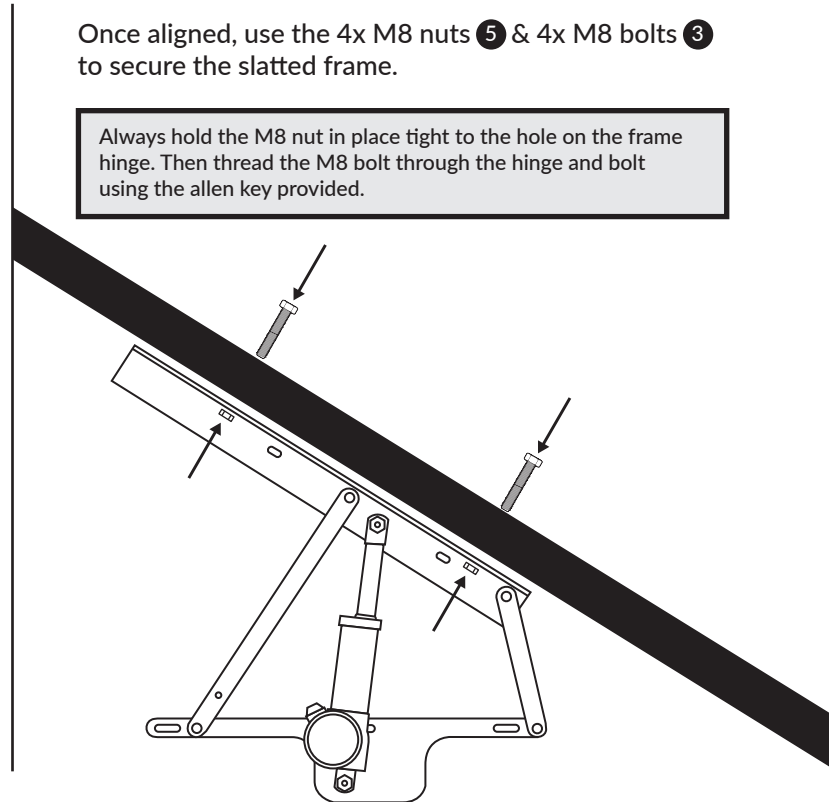
Attach slatted frame using ⑤ nuts & ③ bolts.

Place the slatted base onto the hinged brackets. Ensure the holes on the slatted base line up with the holes on the top edge of the hinges.



Once aligned, use the 4x M8 nuts ⑤ & 4x M8 bolts ③ to secure the slatted frame.

Always hold the M8 nut in place tight to the hole on the frame hinge. Then thread the M8 bolt through the hinge and bolt using the allen key provided.



DANGER – RISK OF INJURY / CRUSHING

The ottoman must only be operated by responsible and capable adults.
Never allow children to operate the ottoman. Always engage the child safety lock when the ottoman is not in use. Refer to the Care Manual for safety lock instructions.

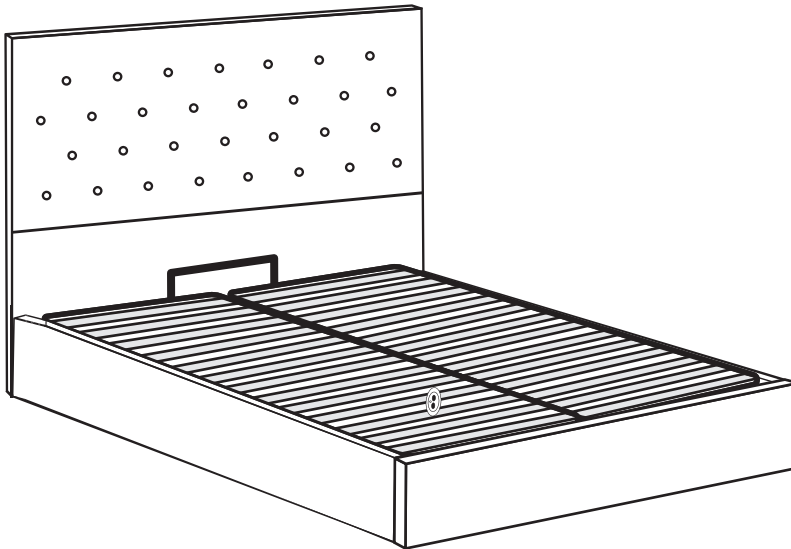


Power & Test



Please ensure the child safety feature is inactive and the green light is switched on before operation

See page 2 for more information about the child safety lock and operating the power ottoman mechanism.



DANGER - Risk of Injury/Crushing

The ottoman must only be operated by responsible and capable adults.

Never allow children to operate the ottoman.

Always engage the child safety lock when the ottoman is not in use.

Once tested, your bed is ready for use.



DANGER – RISK OF INJURY / CRUSHING

The ottoman must only be operated by responsible and capable adults. Never allow children to operate the ottoman. Always engage the child safety lock when the ottoman is not in use. Refer to the Care Manual for safety lock instructions.



Mattress weight must not exceed 110kg